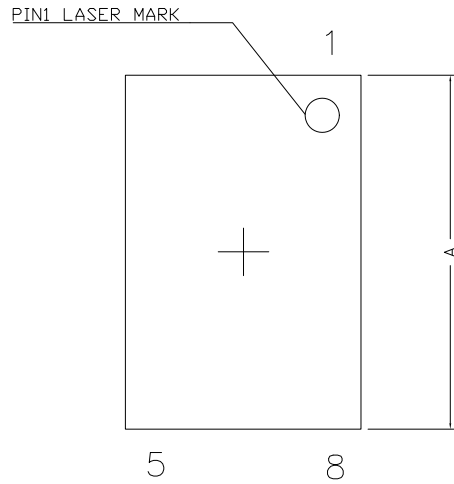
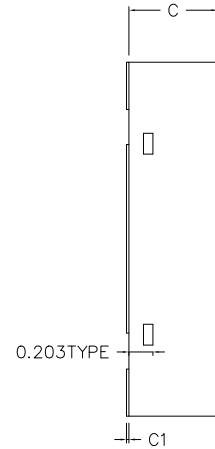


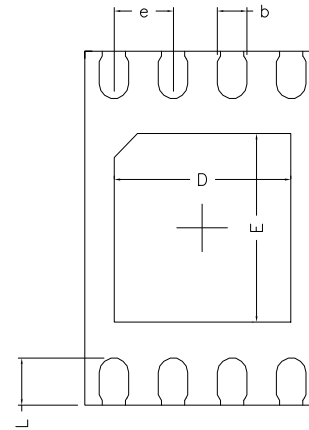
REVERSION	REVERSION RECORD	DATE	NAME
A	NEW DRAW	2021.08.23	ChenYJ
B	ADD PLATING LAYER DIMENSION	2022.7.20	ChenYJ



TOP VIEW



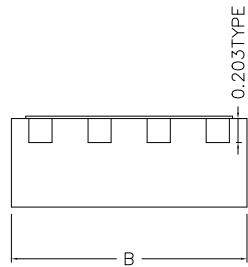
SIDE VIEW



BOTTEM VIEW

COMMON DIMENSIONS
(UNITS OF MEASURE IS mm)

	MIN	NORMAL	MAX
A	2.900	3.000	3.100
B	1.900	2.000	2.100
C	0.700	0.750	0.800
Δ C1	0.005	—	0.020
D	1.400	1.500	1.600
E	1.500	1.600	1.700
L	0.350	0.400	0.450
b	0.200	0.250	0.300
e	0.500 TYPE		



SIDE VIEW



深圳市金誉半导体股份有限公司
SHENZHEN JINYU SEMICONDUCTOR CO.,LTD

THIRD ANGLE PROJECTION				SCALE	1:1	UNIT	mm	APPROVALS			DATE
TOLERANCE				DESIGNER	ChenYJ	2022.7.20		DFN2x3-8L 0.75T			
0	0.0	0.00	0.000	CHECKER	XieWH	2022.7.20		0.50 PITCH			
				APPROVER	LinHB	2022.7.20		DRG NO.	JY-POD-40	REV:	B
								FILE NO.	JY-RE-022-40	SHEET:1 OF 1	