

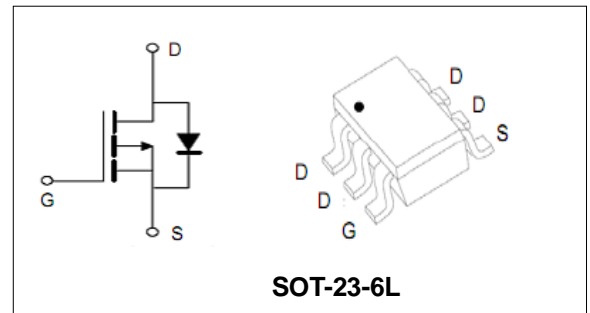
**-20V/-7A P-Channel Advanced Power MOSFET****Features**

- Improved dv/dt Capability, High Ruggedness.
- Maximum Junction Temperature Range (150°C)

BVDSS	-20	V
ID	-7	A
RDSON@VGS=-4.5V	19	mΩ
RDSON@VGS=-2.5V	23	mΩ

Applications

- PWM applications
- Load switch
- Power management

**Order Information**

Product	Package	Marking	Reel Size	Reel	Carton
PTL2107	SOT-23-6	2107	7inch	3000PCS	180000PCS

Absolute Maximum Ratings

Symbol	Parameter	Rating	Unit	
Common Ratings (TC=25°C Unless Otherwise Noted)				
$V_{(BR)DSS}$	Drain-Source Breakdown Voltage	-20	V	
V_{GS}	Gate-Source Voltage	±12	V	
T_J	Maximum Junction Temperature	150	°C	
T_{STG}	Storage Temperature Range	-55 to 150	°C	
I_S	Diode Continuous Forward Current	$T_A = 25^\circ C$	-7	A
Mounted on Large Heat Sink				
I_{DM}	Pulse Drain Current Tested (Silicon Limit) (Note1)	$T_A = 25^\circ C$	-20	A
I_D	Continuous Drain current	$T_A = 25^\circ C$	-7	A
P_D	Maximum Power Dissipation	$T_A = 25^\circ C$	1.4	W
$R_{\theta JA}$	Thermal Resistance Junction-to-Ambient (Note2)		89	°C/W

**-20V/-7A P-Channel Advanced Power MOSFET**

Symbol	Parameter	Condition	Min.	Typ.	Max.	Unit
Static Electrical Characteristics @ T_J = 25°C (unless otherwise stated)						
V _{(BR)DSS}	Drain- Source Breakdown Voltage	VGS=0V ID=-250μA	-20	--	--	V
I _{DSS}	Zero Gate Voltage Drain current	VDS=-20V,VGS=0V	--	--	1	μA
I _{GSS}	Gate-Body Leakage Current	VGS=±12V,VDS=0V	--	--	±100	nA
V _{GS(TH)}	Gate Threshold Voltage	VDS=VGS,ID=-250μA	-0.4	--	-1.2	V
R _{DS(ON)}	Drain-Source On-State Resistance (Note3)	VGS=-4.5V, ID=-6A	--	19	25	mΩ
		VGS=-2.5V, ID=-5A	--	23	35	mΩ
Dynamic Electrical Characteristics @ T_J = 25°C (unless otherwise stated) (Note4)						
C _{iss}	Input Capacitance	VDS= -10V, VGS=0V, F=1MHz	--	1210	--	pF
C _{oss}	Output Capacitance		--	310	--	pF
C _{rss}	Reverse Transfer Capacitance		--	290	--	pF
Q _g	Total Gate Charge	VDS= -10V, ID= -6.5A, VGS= -4.5V	--	10	--	nC
Q _{gs}	Gate-Source Charge		--	1.5	--	nC
Q _{gd}	Gate-Drain Charge		--	3	--	nC
Switching Characteristics (Note4)						
t _{d(on)}	Turn-on Delay Time	VDD=-10V, ID=-1A, RG=6Ω, VGS=-4.5V	--	25	--	nS
t _r	Turn-on Rise Time		--	30	--	nS
t _{d(off)}	Turn-off Delay Time		--	70	--	nS
t _f	Turn-off Fall Time		--	50	--	nS
Source- Drain Diode Characteristics @ T_J = 25°C (unless otherwise stated)						
V _{SD}	Forward on voltage (Note3)	IS=-7A,VGS=0V	--	--	-1.2	V

Note:

1. Repetitive Rating: Pulse width limited by maximum junction temperature.
2. Surface Mounted on FR4 Board, t ≤ 10 sec
3. Pulse Test: pulse width ≤ 300 us, duty cycle ≤ 2%.
4. Guaranteed by design, not subject to production testing.



-20V/-7A P-Channel Advanced Power MOSFET

Typical Characteristics

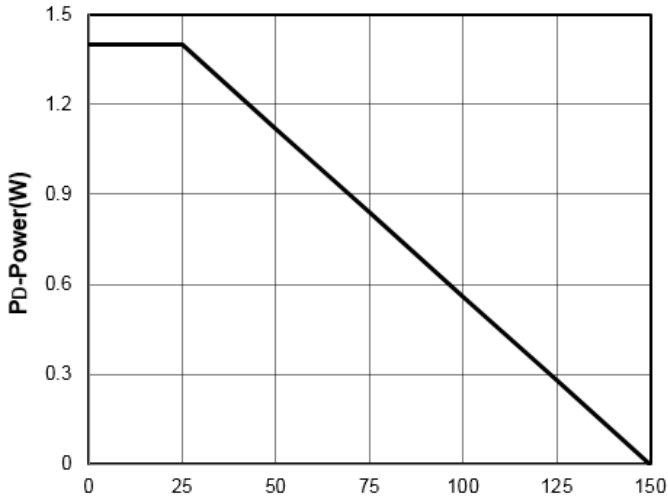


Figure1: T_J -Junction Temperature ($^{\circ}C$)

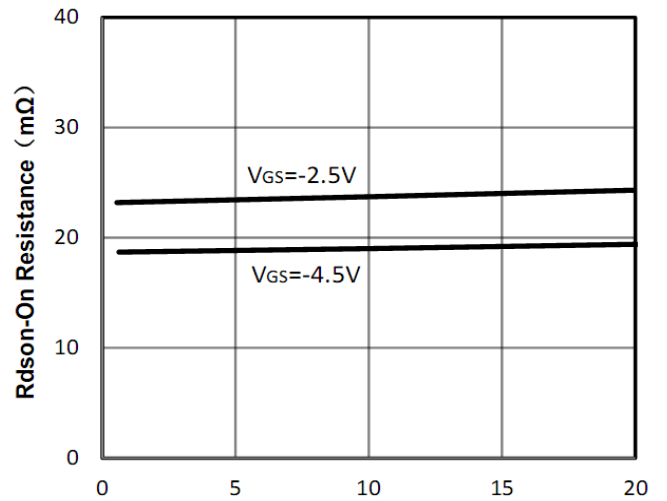


Figure2: $-I_D$ -Drain Current (A)

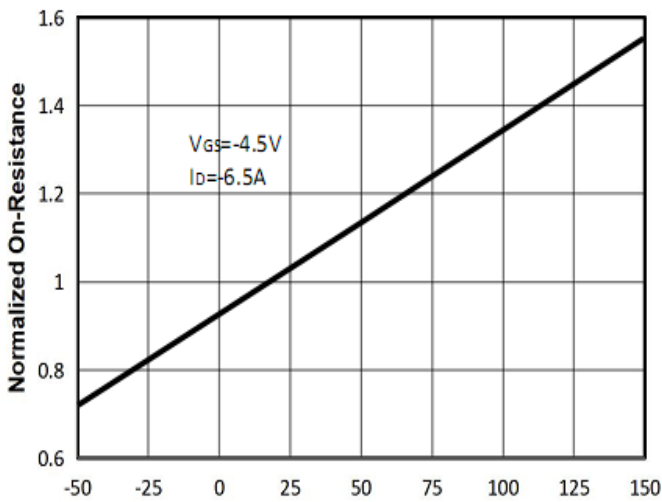


Figure3: T_J Junction Temperature ($^{\circ}C$)

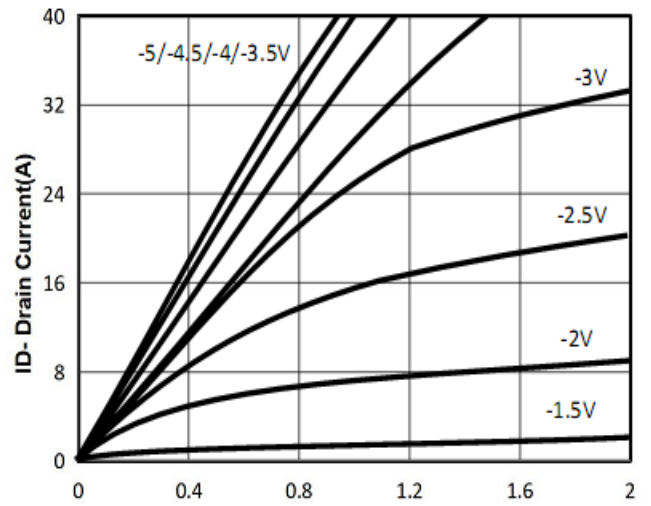


Figure4: $-V_{DS}$ -Drain Source Voltage (V)

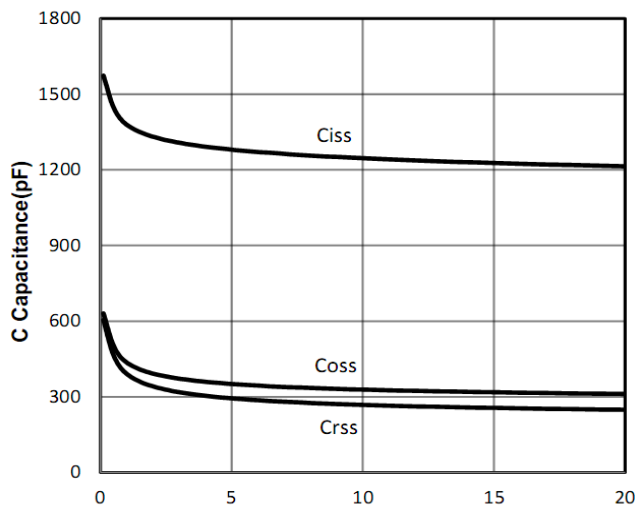


Figure5: $-V_{DS}$ -Drain Source Voltage (V)

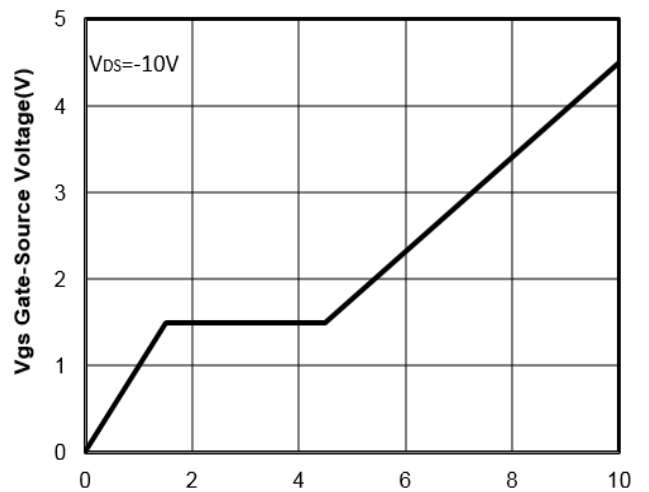


Figure6: Q_g Gate Charge (nC)



-20V/-7A P-Channel Advanced Power MOSFET

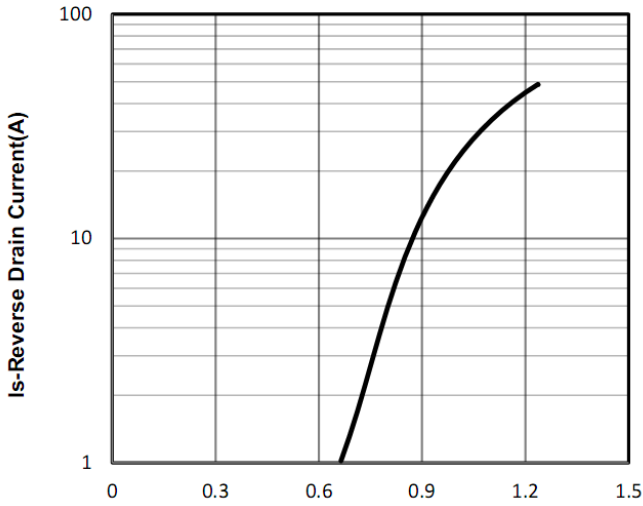


Figure7: -Vsd -Source Drain Voltage (V)

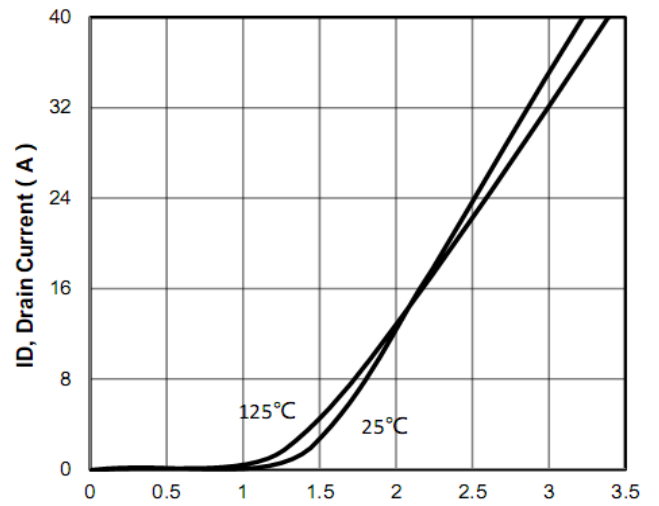


Figure8: -Vgs -Gate Source Voltage (V)

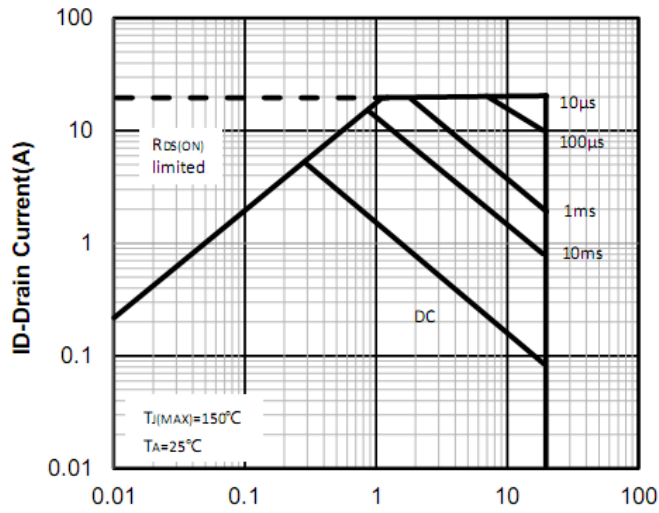


Figure9: -VDS -Drain Source Voltage (V)

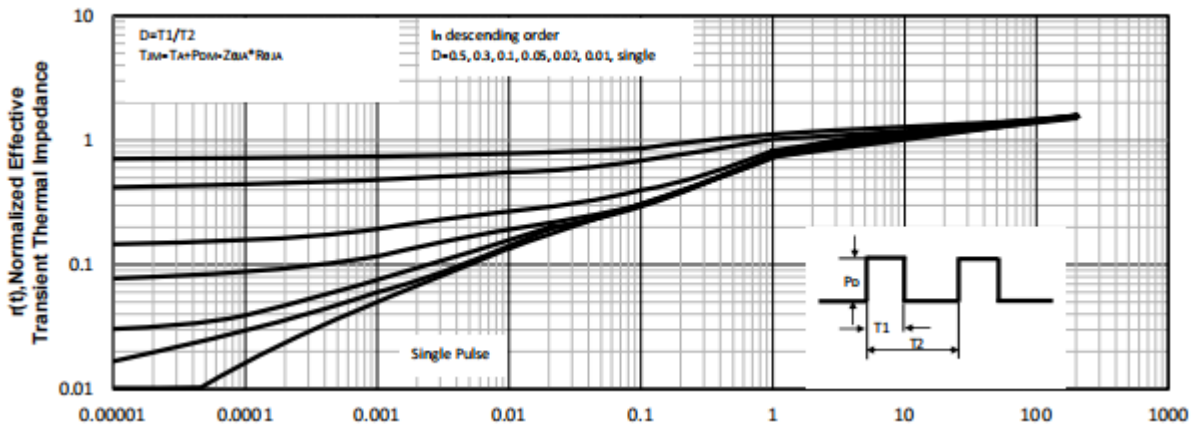
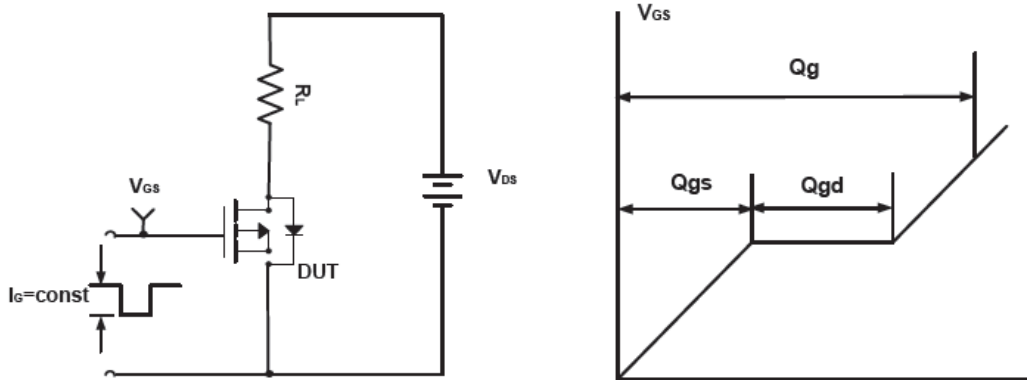
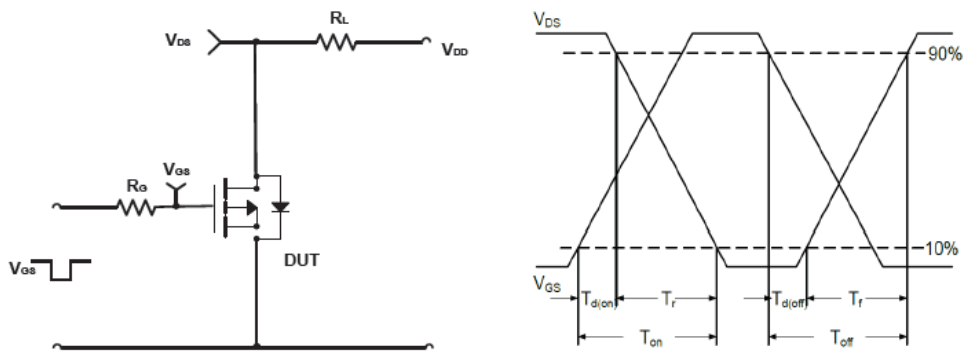
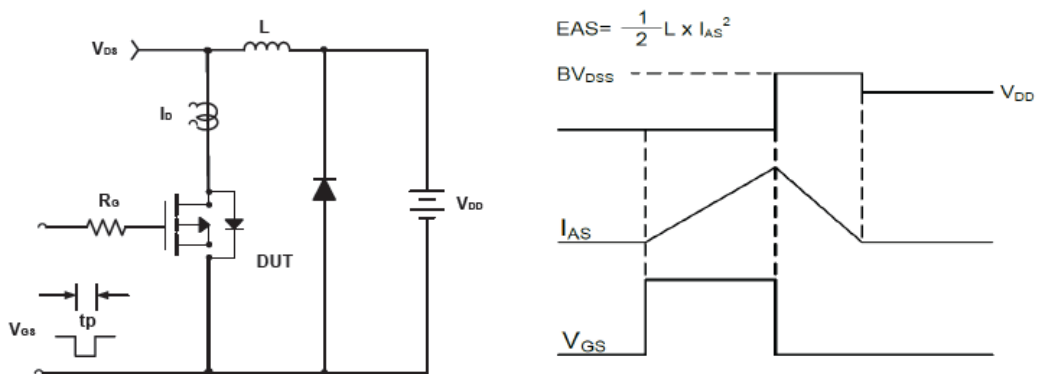
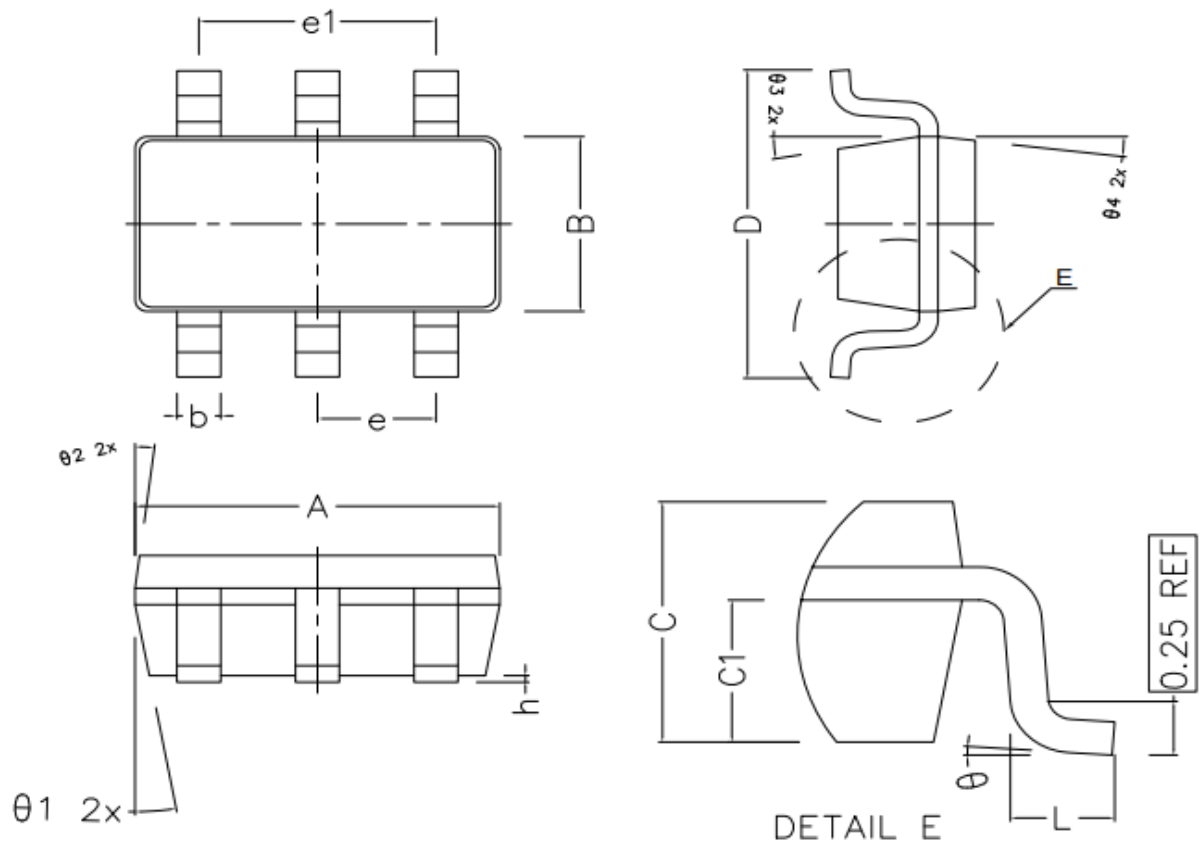


Figure10: Square Wave Pulse Duration (sec)

-20V/-7A P-Channel Advanced Power MOSFET
Test Circuit and Waveform:

Figure A Gate Charge Test Circuit & Waveforms

Figure B Switching Test Circuit & Waveforms

Figure C Unclamped Inductive Switching Circuit & Waveforms

-20V/-7A P-Channel Advanced Power MOSFET
SOT-23-6L Package Outline Dimensions (Units: mm)


COMMON DIMENSIONS (UNITS OF MEASURE IS mm)			
	MIN	NORMAL	MAX
A	2.820	2.920	3.020
B	1.500	1.600	1.700
C	1.050	1.100	1.150
C1	0.600	0.650	0.700
D	2.650	2.800	2.950
L	0.300	0.450	0.600
b	0.280	0.350	0.420
h	0.020	0.050	0.100
K	0.120	—	0.230
e	0.950TYPE		
e1	1.900TYPE		
θ ₁	10° TYPE		
θ ₂	7° TYPE		
θ ₃	10° TYPE		
θ ₄	7° TYPE		
θ	0° ~ 8°		